

2CH  
1820-009



6CH24-6  
1830-490



6S14-2ER  
1830-717



### Specifications

- Pilot tubing size is typically 1/4"
- Incinerator type pilots
- Natural gas orifice installed typically with separate LP gas orifice
- Various lead lengths 13" to 48" [330 mm to 1220 mm]
- Various flame hoods (1, 2 or 3) with different orientations
- Left or right hand flame orientations

### 1820 SERIES PG9 REPLACEMENT PILOT UNI-KITS®

The 1820 Series Uni-Kits are designed to replace hard-to-find ITT-General PG9 type pilots. A special 1/4" tubing adaptor is typically provided with nut and ball sleeve. Uni-Kits are available with and without a 32" [810mm] thermopile.

### 1830 (2CH & 2C SERIES) INCINERATOR-TARGET PILOT UNI-KITS

The 1830 Series Uni-Kits are designed to be used with all Robertshaw® and most competitive thermocouples. Uni-Kits include an adaptor that converts a threaded thermocouple/thermopile model 2CH to a snap-in thermocouple type, model 2C.

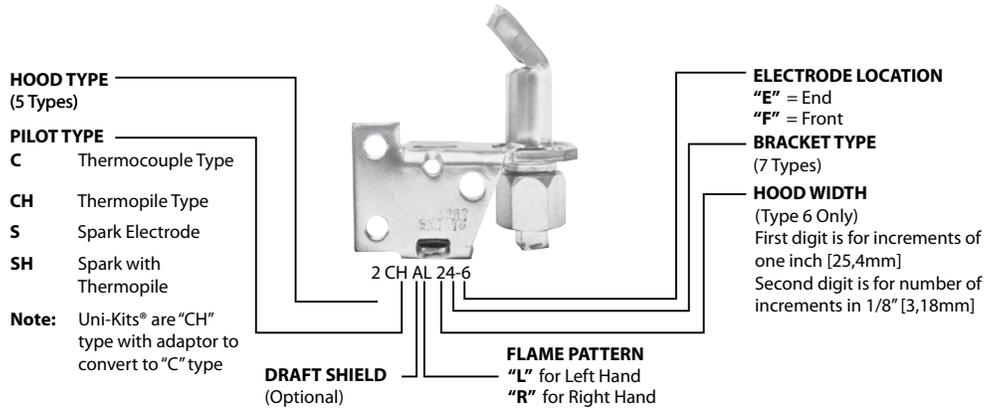
### 1830-700 SERIES PILOT ELECTRODES

The 1830-700 Series Pilot Uni-Kits are designed for use with the OEM-style Pilot Ignition systems. The electrode is permanently riveted to the pilot frame and the spark gap is fixed at 1/8". These pilots can be used to replace existing pilot assemblies or for retrofitting standing pilot applications when an exact replacement is desired.

### Features and Benefits

- Many flame pattern types available
- Thermocouple or thermopile options
- Spark electrode available
- Horizontal or vertical gas inlet
- Several mounting bracket types available
- Aerated pilots with non-linting characteristics

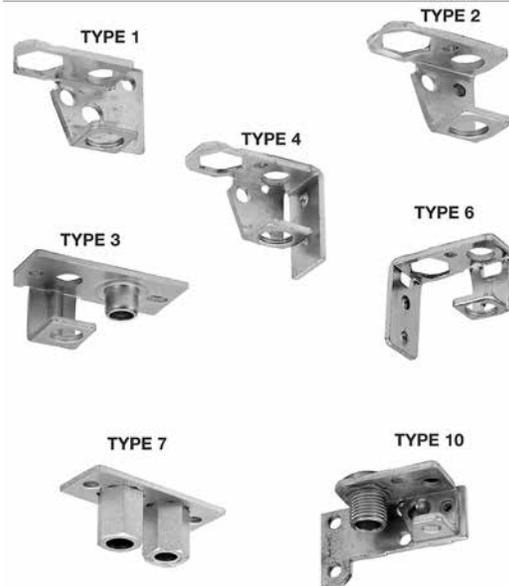
### PILOT MODEL TYPE IDENTIFICATION



### HOOD TYPE

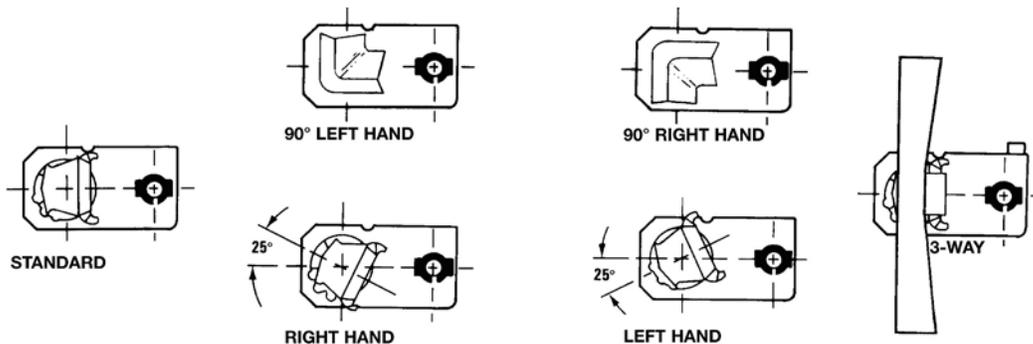


### MOUNTING BRACKET TYPE



Note: Additional mounting bracket types available

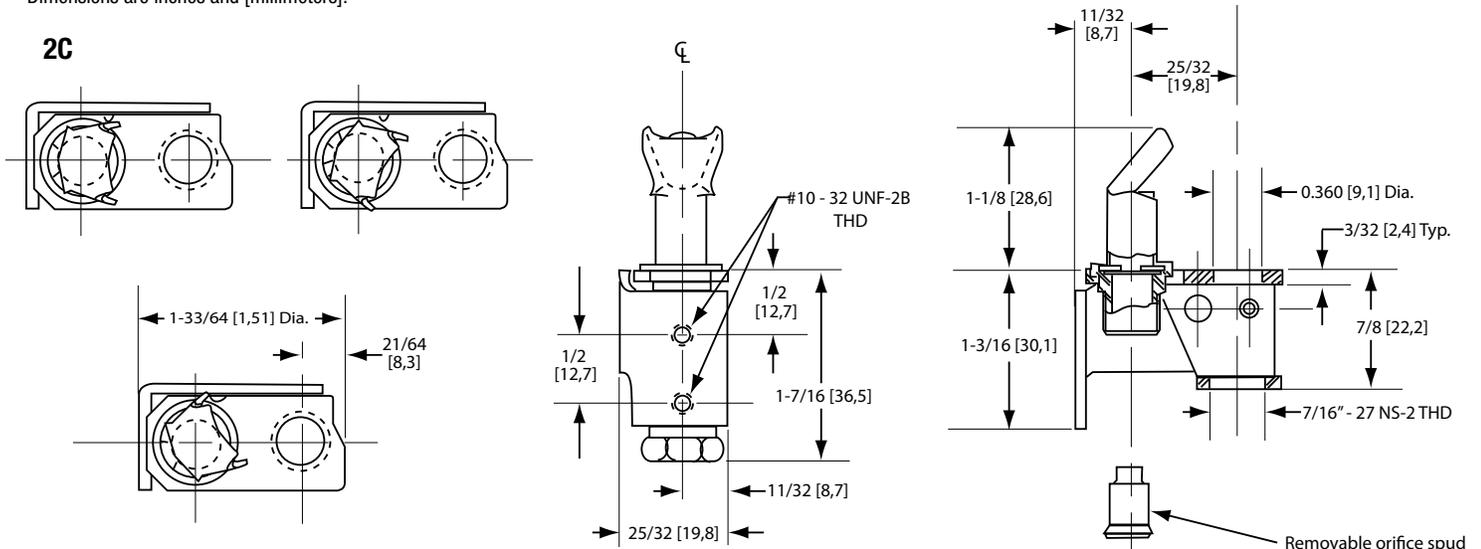
### FLAME PATTERN TYPE



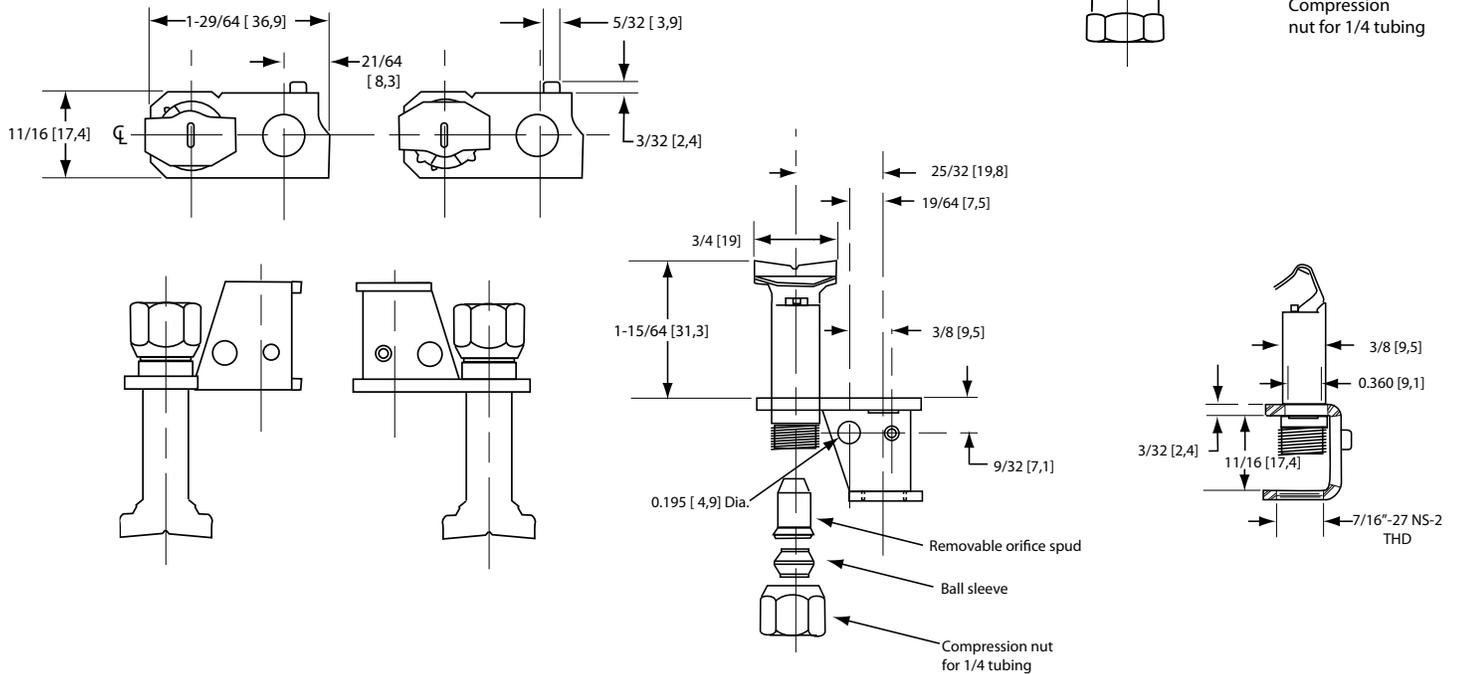
### PRODUCT DIMENSIONS

Dimensions are inches and [millimeters].

**2C**



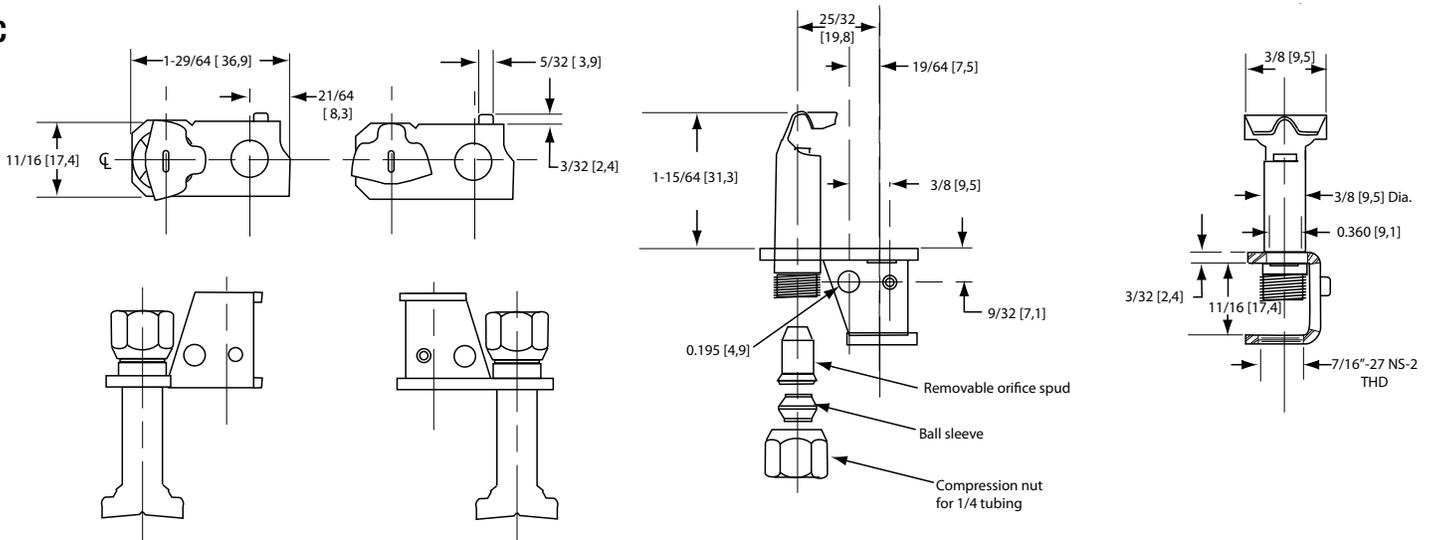
**3C**



### PRODUCT DIMENSIONS

Dimensions are inches and [millimeters].

4C



5C

