



COOKING

Robertshaw®



4075-029



4075-200

GAS VALVES - SOLENOID

4075 Series

The Robertshaw® 4075 Series Gas Solenoid is designed to control the flow of gas in cooking appliances. Both single FJT and dual FJTD models are available for a wide variety of applications such as ovens, griddles and fryers.

Features and Benefits

- Normally closed solenoid
- Multiple inlet/outlet configurations
- 1/8" side pilot outlets available
- Compact size with high flow rates
- Standard NEMA terminals
- Inlet filtered screen
- Gas types: natural, manufactured, fixed, LP and LP/air mixtures
- RoHS compliant
- AC rectification for silent operation

Specifications

Part Numbers	Description	Inlet	Outlet	Pilot Outlet	Max Pressure	Capacity	Ambient Temperature	Electrical Rating	Comments
4075-029	FJT Single Gas Solenoid Valve	3/8" Pipe	3/8" Pipe	Left and Right	0.5 PSI	119,000 BTU	-40°F to 275°F (-40°C to 135°C)	24 / 120 / 240 Volts @ 50/60 Hz	Includes (2) 1/8" plugs
4075-200	FJTD Dual Gas Solenoid Valve	3/8" Pipe	3/8" Pipe	NA	0.5 PSI	165,000 BTU both 110,000 BTU each	-40°F to 275°F (-40°C to 135°C)	24 / 120 / 240 Volts @ 50/60 Hz	0.10 Amp Coil

RoHS



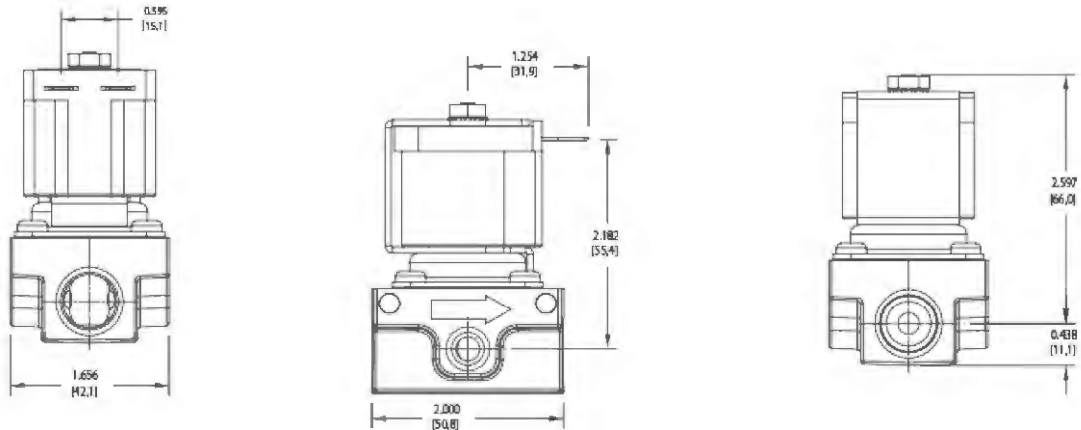
B32



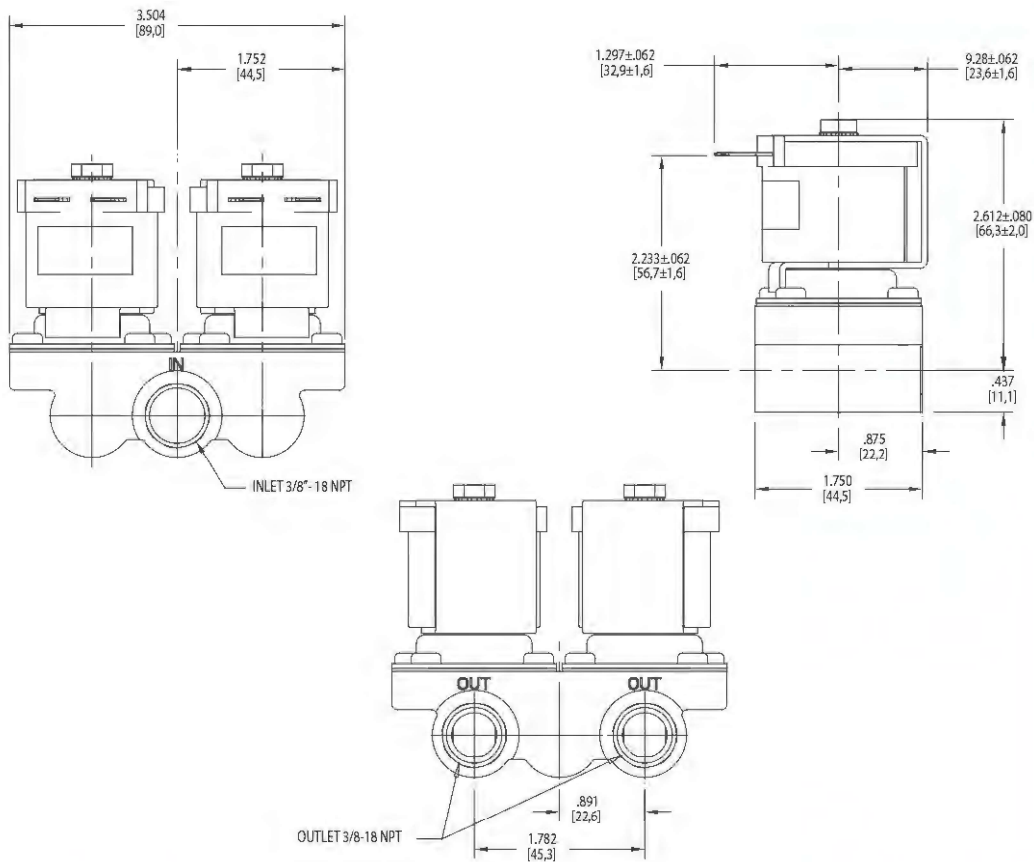
Product Drawings

Product Dimensions - Dimensions are inches and [millimeters].

Single



Dual



1 Year
Limited
Warranty