

## HOT SURFACE IGNITORS

### 41-200 Series

The Robertshaw® 41-200 Series Hot Surface Ignitors are engineered to meet all your gas range and oven needs. These ignitors are used in the ranges of most major appliance OEMs. In addition, these ignitors are designed to match the Robertshaw bi-metal gas valves.

### Features and Benefits

- High physical and thermal strength
- Easy mounting
- Silent ignition
- Kits include two (2) porcelain nuts

## Specifications

Part Numbers	Description	Length A	Lead Length	Type	Electrical Rating	Comments	Replacement Information
41-202	Hot Surface Ignitor	5-1/2" (140mm)	16-3/4" (426mm)	501A	3.2 to 3.6 Amps 120V AC	Molex Plug	
41-203	Hot Surface Ignitor	6-1/4" (159mm)	11-1/2" (292mm)	501A	3.2 to 3.6 Amps 120V AC		
41-204	Hot Surface Ignitor	4-1/2" (114mm)	14-1/2" (368mm)	501A	3.2 to 3.6 Amps 120V AC		
41-205	Hot Surface Ignitor	3-3/4" (89mm)	19" (483mm)	501A	3.2 to 3.6 Amps 120V AC		
41-206	Hot Surface Ignitor,	7-1/4" (184mm)	8-3/8" (213mm)	501	3.2 to 3.6 Amps 120V AC	No Shield, 5-1/2" (140mm) Lead Length, Ceramic	
41-207	Hot Surface Ignitor	7-1/2" (191mm)	12" (305mm)	501A	3.2 to 3.6 Amps 120V AC		
41-208	Hot Surface Ignitor	3-3/4" (114mm)	4-1/4" (108mm)	551A	2.5 to 3.0 Amps 120V AC		Replaces Round Carborundum Ignitors - Blue Ceramic

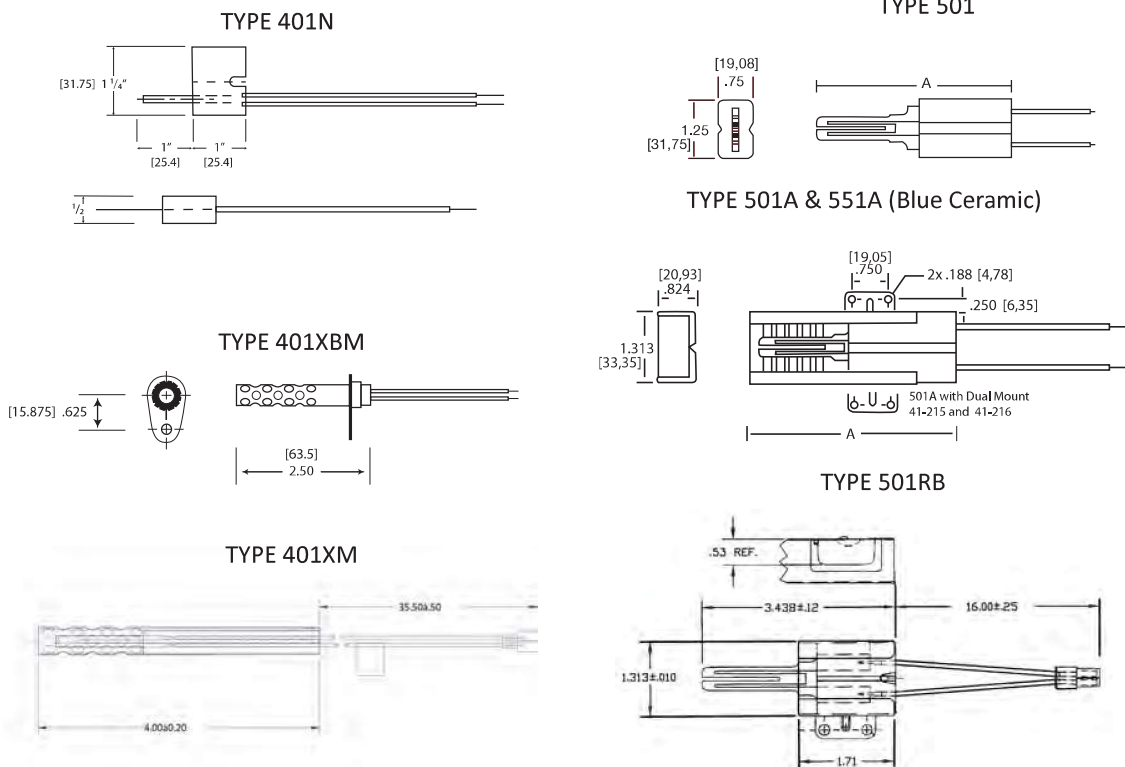


## Specifications - continued

Part Numbers	Description	Length A	Lead Length	Type	Electrical Rating	Comments	Replacement Information
41-209	Hot Surface Ignitor	3-3/4" (89mm)	16-3/4" (426mm)	501A	3.2 to 3.6 Amps 120V AC	Plug Adaptor, Molex Plug	
41-210	Hot Surface Ignitor	3-7/8" (95mm)	8-3/8" (213mm)	501	3.2 to 3.6 Amps 120V AC	No Shield/Electrical Terminals	
41-213	Hot Surface Ignitor	3-7/8" (95mm)	16" (406mm)	501RB	3.2 to 3.6 Amps 120V AC	Mtg Bracket, No Shield, Molex Plug	Electrolux 316489403
41-214	Hot Surface Ignitor	3-7/8" (95mm)	7" (177mm)	501RB	3.2 to 3.6 Amps 120V AC	Mtg Bracket, No Shield, Molex Plug	Electrolux 316489404
41-215	Hot Surface Ignitor	3-3/4" (89mm)	19" (482mm)	501A	3.2 to 3.6 Amps 120V AC	Dual mounts	G.E. WB2X9998
41-216	Hot Surface Ignitor	3-3/4" (89mm)	10" (254mm)	501A	3.2 to 3.6 Amps 120V AC	Plug Adaptor with dual mounts	G.E. WB13K21
41-218	Hot Surface Ignitor	3-3/4" (89mm)	16" (406mm)	501A	3.2 to 3.6 Amps 120V AC	Molex Plug Adaptor	Electrolux 316489408
41-423	Hot Surface Ignitor	NA	37" (1016mm)	401N	1.4 to 2.1 Amps 24V AC		Southbend 4440385
41-224	Hot Surface Ignitor - Mini	NA	30" (762mm)	401XM	1.2 to 2.1 Amps 24V AC		Southbend 1183200
41-225	Hot Surface Ignitor - Mini	NA	36" (914mm)	401XBM	1.2 to 2.1 Amps 24V AC		Bakers Pride M2140A/X

## Product Drawings - continued

Examples available.



**1** Year  
Limited  
Warranty