



WATER VALVES

Robertshaw®



CW-164

MIXING WATER VALVES

E-1, E-2 and E-2T Series

The Robertshaw® E-1, E-2 and E-2T Mixing Water Valve Series is designed for laundry clotheswasher applications. The E-1 models are non-regulated, the E-2 models have flow control in the outlet, and the E-2T models have an additional thermistor added for temperature monitoring.

Features and Benefits

- Pilot-operated diaphragm provides high flow capacity with minimum power requirements
- Compact design compared to predecessor valves to allow more flexibility for applications
- Flange mounting with screw boss is molded into the body for ease of installation
- Design uses a staked coil L frame with drawn pole sleeves to eliminate loose or missing pole pieces
- Improved coil bobbin design reduces problems
- Slow closing operators reduce water hammer and extend valve life
- Spin-weld assembly minimizes problems caused by loose or missing screws
- Suitable for applications using liquids up to 160°F (71°C)
- Quiet operation
- Stainless steel inlet screens with 60 x 60 mesh

Replacement Information

Part Numbers	Replaces	Factory Number
CW-001	GE 189D1664G001, Whirlpool 13X86, Whirlpool 13X10024, 175D2937P001	K-76249
CW-164	Whirlpool 3952164	K-69046
CW-333	Whirlpool 22004333	K-76103
CW-346	Whirlpool 3979346	K-75161
CW-347	Whirlpool 3979347	K-75398
CW-349	Whirlpool W10337349	K-77684-2
CW-400	Electrolux 134211400	K-75712
CW-402	Alliance 201402	K-72626
CW-468	Alliance 201468	K-75933
CW-471	Whirlpool 461970229471, Whirlpool 8182862	K-76422
CW-551	Whirlpool 461970201551, Whirlpool 8181694	K-74969
CW-600	Electrolux 134890600	K-76755
CW-673	Whirlpool 3955673	K-75180
CW-751	Whirlpool 8540751	K-75806
CW-932	Maytag 35-6693, Maytag 21001932	K-76373
CW-E2	Whirlpool 3952163	K-72633





Robertshaw[®]

Specifications

Part Numbers	Description	Flow Rate	Inlet	Outlet	Operating Pressure	Terminals	Body Material	Thermistor	Electrical Rating	Power
CW-001	Residential Clotheswasher Mixing Water Valve E-1	4 GPM to 7.3 GPM	3/4" 11.5 NHT	1/2" ID Hose	20 PSI to 120 PSI	1/4" Male	Polypro	NA	120V AC 60 Hz	5 Watts
CW-164	Residential Clotheswasher Mixing Water Valve E-1	1.0 GPM to 6.0 GPM	3/4" 11.5 NHT	1/2" ID Hose	20 PSI to 120 PSI	1/4" Male	Polypro	NA	120V AC 60 Hz	5 Watts
CW-333	Residential Clotheswasher Mixing Water Valve E-2	2 GPM to 8.2 GPM	3/4" 11.5 NHT	1/2" ID Hose	20 PSI to 120 PSI	1/4" Male	Polypro	NA	120V AC 60 Hz	5 Watts
CW-346	Residential Clotheswasher Mixing Water Valve E-2T	2 GPM to 2.8 GPM	3/4" 11.5 NHT	1/2" ID Hose	20 PSI to 120 PSI	1/4" Male	Polypro	50K Ohms at 25°C	120V AC 60 Hz	5 Watts
CW-347	Residential Clotheswasher Mixing Water Valve E-2T	1.0 GPM to 6.0 GPM	3/4" 11.5 NHT	3/8" ID Hose	20 PSI to 120 PSI	1/4" Male	Polypro	50K Ohms at 25°C	120V AC 60 Hz	5 Watts
CW-349	Residential Clotheswasher Mixing Water Valve E-1	8 GPM	3/4" 11.5 NHT	1/2" ID Hose	21 PSI to 120 PSI	1/4" Male	Polypro	NA	120V AC 60 Hz	5 Watts
CW-400	Residential Clotheswasher Mixing Water Valve E-1	1.8 GPM to 14.6 GPM	3/4" 11.5 NHT	1/2" ID Hose	20 PSI to 120 PSI	1/4" Male	Polypro	NA	120V AC 50/60 Hz	5 Watts
CW-402	Residential Clotheswasher Mixing Water Valve E-1	11 GPM	3/4" 11.5 NHT	1/2" ID Hose	20 PSI to 120 PSI	1/4" Male	Polypro	NA	120V AC 60 Hz	5 Watts
CW-468	Residential Clotheswasher Mixing Water Valve E-1	2.4 GPM to 4.5 GPM	3/4" 11.5 NHT	1/2" ID Hose	20 PSI to 120 PSI	1/4" Male	Polypro	NA	120V AC 60 Hz	5 Watts
CW-471	Residential Clotheswasher Mixing Water Valve E-2	1.69 GPM to 2.54 GPM	3/4" 11.5 NHT	3/8" ID Hose	7.5 PSI to 147 PSI	1/4" Male	Polypro	NA	120V AC 50/60 Hz	5 Watts
CW-551	Residential Clotheswasher Mixing Water Valve E-2	1.69 GPM to 2.54 GPM	3/4" 11.5 NHT	3/8" ID Hose	7.5 PSI to 147 PSI	1/4" Male	Polypro	NA	120V AC 60 Hz	5 Watts
CW-600	Residential Clotheswasher Mixing Water Valve E-2T	1.3 GPM to 14.6 GPM	3/4" 11.5 NHT	1/2" ID Hose	20 PSI to 120 PSI	1/4" Male	Polypro	50K Ohms at 25°C	120V AC 60 Hz	5 Watts
CW-673	Residential Clotheswasher Mixing Water Valve E-1	1.9 GPM to 3.5 GPM	3/4" 11.5 NHT	1/2" ID Hose	20 PSI to 120 PSI	1/4" Male	Polypro	NA	120V AC 60 Hz	5 Watts
CW-751	Residential Clotheswasher Mixing Water Valve E-2	0.8 GPM to 2.2 GPM	3/4" 11.5 NHT	1/2" ID Hose	14.5 PSI to 145 PSI	RAST 2.5	Polypro	NA	120V AC 60 Hz	5 Watts
CW-932	Residential Clotheswasher Mixing Water Valve E-2	2.5 GPM to 3.8 GPM	3/4" 11.5 NHT	1/2" ID Hose	20 PSI to 120 PSI	1/4" Male	Polypro	NA	120V AC 60 Hz	5 Watts
CW-E2	Residential Clotheswasher Mixing Water Valve E-2	2.2 GPM	3/4" 11.5 NHT	1/2" ID Hose	20 PSI to 120 PSI	1/4" Male	Polypro	NA	120V AC 60 Hz	5 Watts
K-78280	Residential ClothesWasher Mixing Valve E-1	4 GPM to 6.4 GPM	3/4" 11.5 NHT	1/2" ID Hose	20 PSI to 120 PSI	1/4" Male	Polypro	NA	121V AC 50/60 Hz	7 Watts

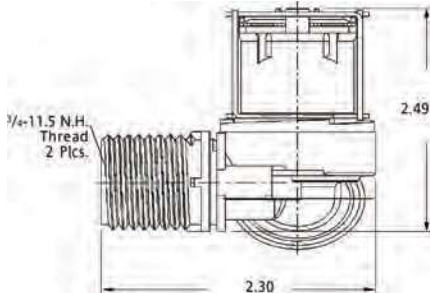
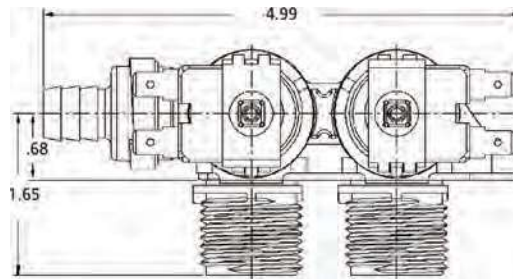
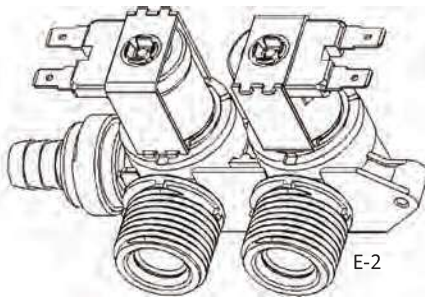
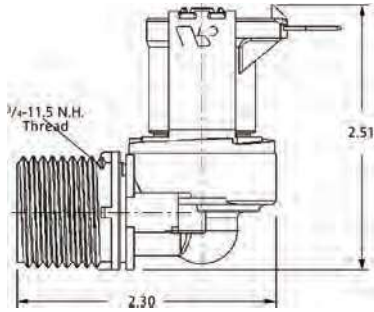
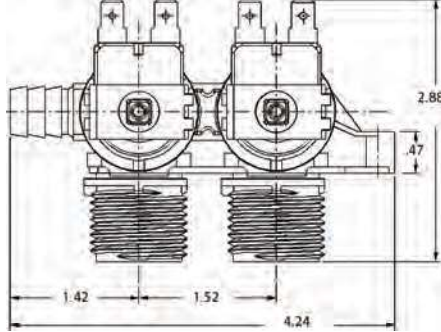
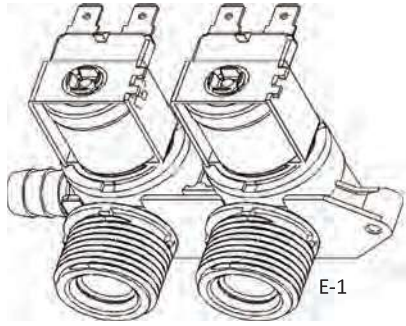




WATER VALVES

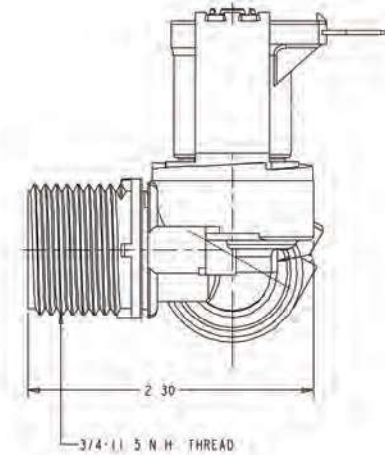
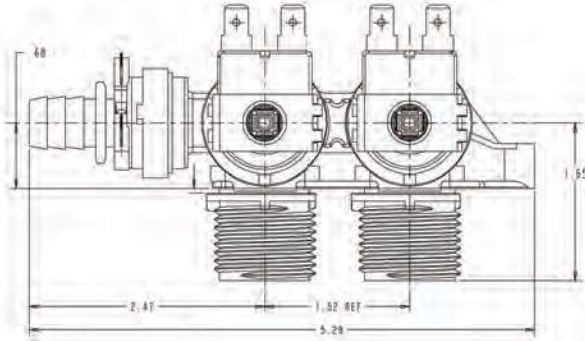
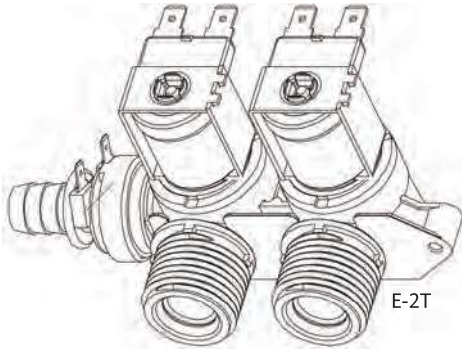
Robertshaw®

Product Drawings





Product Drawings



Robertshaw[®]





WATER VALVES

Robertshaw®



CW-300

MIXING WATER VALVES

N-51 Series

The Robertshaw® N-51 Mixing Water Valve Series is designed for laundry clotheswasher applications where flow control is required.

Features and Benefits

- Dual solenoid valve with a pilot-operated diaphragm that provides high flow capacity with minimum power requirements
- Encapsulated coil provides high mechanical and dielectric strength, and is moisture resistant
- Unique diaphragm design reduces unwanted particles from entering the armature area
- Armature is designed with clearances to minimize jamming due to foreign materials
- Bodies are made of polypro which provides high resistance to corrosion and mineral deposits
- Suitable for applications using water at temperatures up to 160°F (71°C)
- Water hammer suppression
- Includes stainless steel inlet screens with 50 x 40 mesh

Replacement Information

Part Numbers	Replaces	Factory Number
CW-300	Electrolux	K-67914
CW-531	GE WH00X531	K-66575
CW-1300	Electrolux 131461300	K-62464

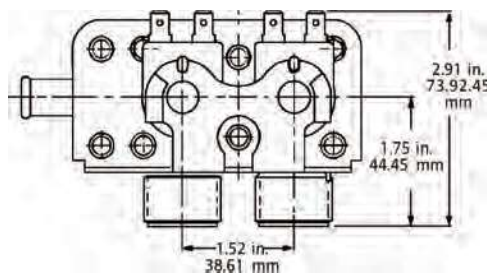
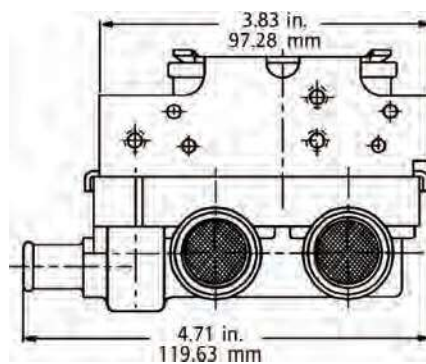
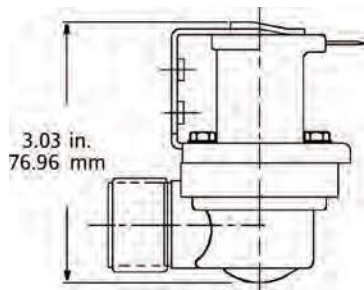
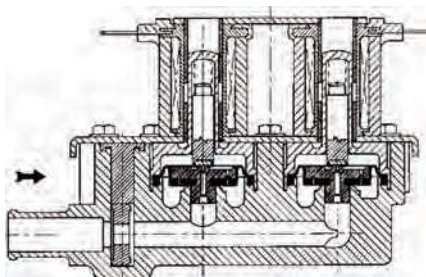
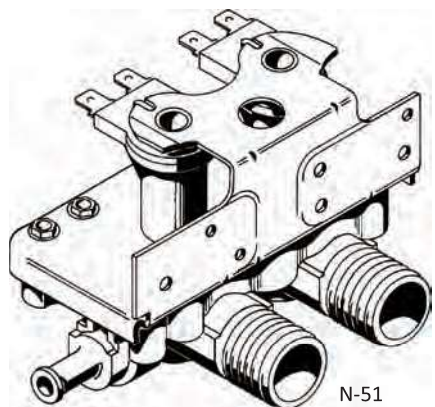
Specifications

Part Numbers	Description	Flow Rate	Inlet	Outlet	Operating Pressure	Terminals	Body Material	Electrical Rating	Power
CW-300	Residential Clotheswasher Mixing Water Valve N-51	3.0 GPM to 14.6 GPM	3/4" 11 NHT	1/2" ID Hose	30 PSI to 120 PSI	1/4" Male	Polypro	120V AC 60 Hz	10 Watts
CW-531	Residential Clotheswasher Mixing Water Valve N-51	5 GPM to 7.5 GPM	3/4" 11.5 NHT	.375 ID Hose	30 PSI to 175 PSI	1/4" Male	Polypro	120V AC 60 Hz	10 Watts
CW-1300	Residential Clotheswasher Mixing Water Valve N-51	4.5 GPM to 6.2 GPM	3/4" 11.5 NHT	1/2" ID Hose	30 PSI to 120 PSI	1/4" Male	Polypro	230V AC 50/60 Hz	7 Watts





Product Drawings



Robertshaw[®]

1 Year
Limited
Warranty